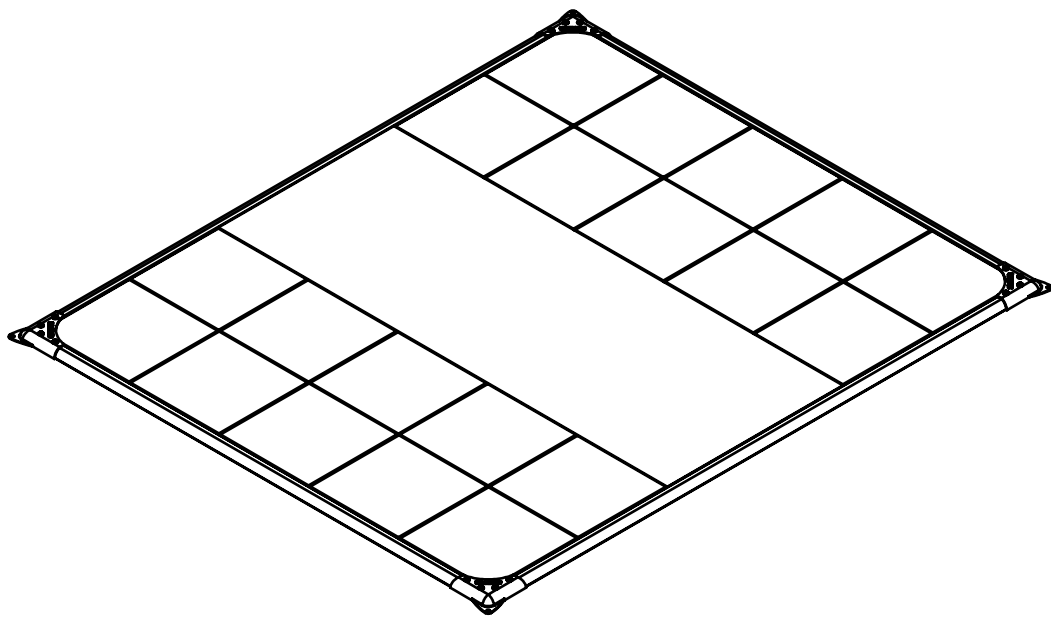


ELEIKO WARM UP PLATFORM ELEIKO TRAINING PLATFORM

Art.no.

3070113 ELEIKO WARM UP PLATFORM

3070119 ELEIKO TRAINING PLATFORM



ELEIKO

READ BEFORE INSTALLATION AND USE

CAUTION

The equipment must be installed and used in a place whose access and supervision are specifically controlled by the owner.

Be sure to install the equipment on a stable base and properly level the equipment.

SAFETY INSTRUCTIONS

It is the responsibility of the purchaser of ELEIKO products to instruct all users and supervising personnel on proper usage of the equipment.

1. All included warnings (labels) and instructions **MUST** be read before the use of any ELEIKO-equipment. Use each equipment as it is intended for.
2. A user **MUST** get a medical examination and proper instructions before the use of any ELEIKO-equipment.
3. **DO NOT** let anyone, under any circumstances, use equipment that appears to be damaged. Do not try to repair any equipment before consulting an ELEIKO technician.
4. **DO NOT** replace the components of ELEIKO-equipment with other none ELEIKO-equipment (magnetic safety pin, frames, bars), do not improvise. If there are any doubts consult an ELEIKO representative prior to any intervention.
5. **DO NOT** overload the equipment and **DO NOT** try to exceed personal strength levels.
6. Children and teenagers must be supervised by an adult.
7. **DO NOT** remove any safety labels from the ELEIKO-equipment. ELEIKO is not responsible if a label is removed. Replace damaged labels immediately.
8. The surface under the platform **MUST** be strong enough for the load from Weight training.
9. The surface under the platform **MUST** be flat and levelled, otherwise the performance and lifetime will suffer.
10. The platform area **MUST** be clear from objects and people when you do your work out.

PREVENTITIVE MAINTENANCE & INSPECTIONS

Regularly:

Clean the surfaces on frames and tubes from dust and dirt. Vacuum clean rubber tiles. Check that all bolts between parts, walls, floors are properly tightened, according to recommendations.

WARRANTY

Tubings and corners: 3 years

Wooden deck, rubber tiles: 1 year

Normal wear and tear does not fall under the warranty.

ADDITIONAL INFORMATION

This equipment is for indoor use only.

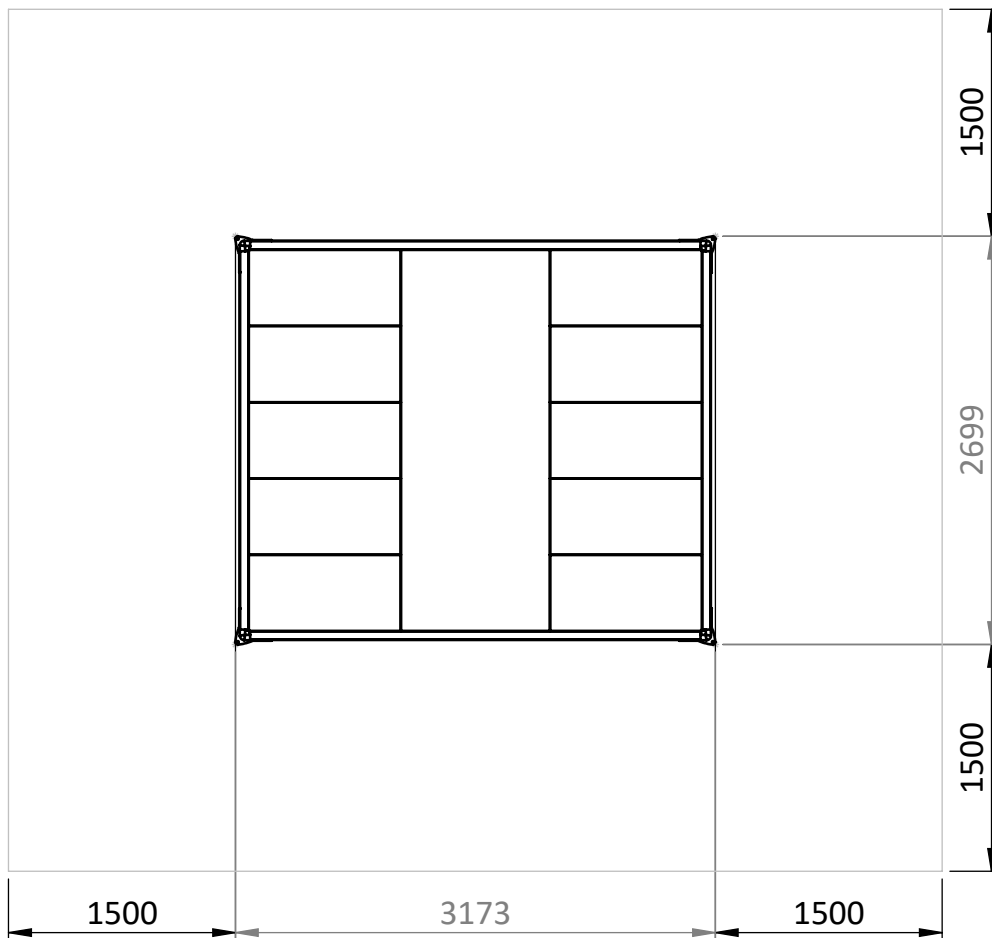
The logo for ELEIKO, consisting of the word "ELEIKO" in a bold, black, sans-serif font.

PRODUCT SPECIFICATION

Weightlifting training and warm up platform. For indoor use only.

Product weight	190 kg
Dimensions (L x W x H)	2699x1500x3173 mm 106.2x124.9x1.2 in

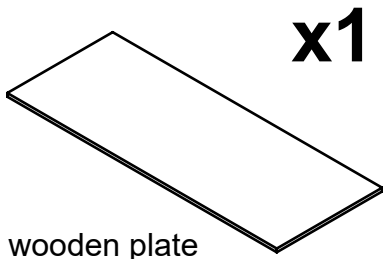
FOOTPRINT AND FREE AREA



Add sufficient clearance, not less than 1.5 m, on all sides.

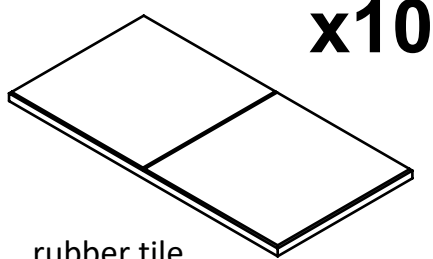
CONTENTS

Required tool



x1

wooden plate
3001400

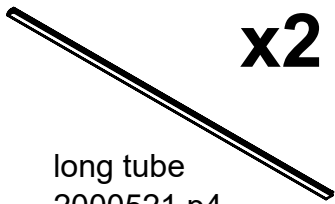


x10

rubber tile
3000243-02

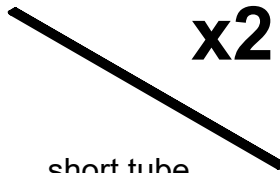


Tx 50



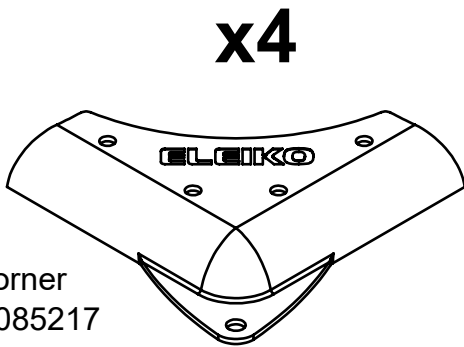
x2

long tube
2000521 p4



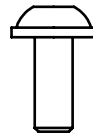
x2

short tube
2000521 p3



x4

corner
3085217



x16

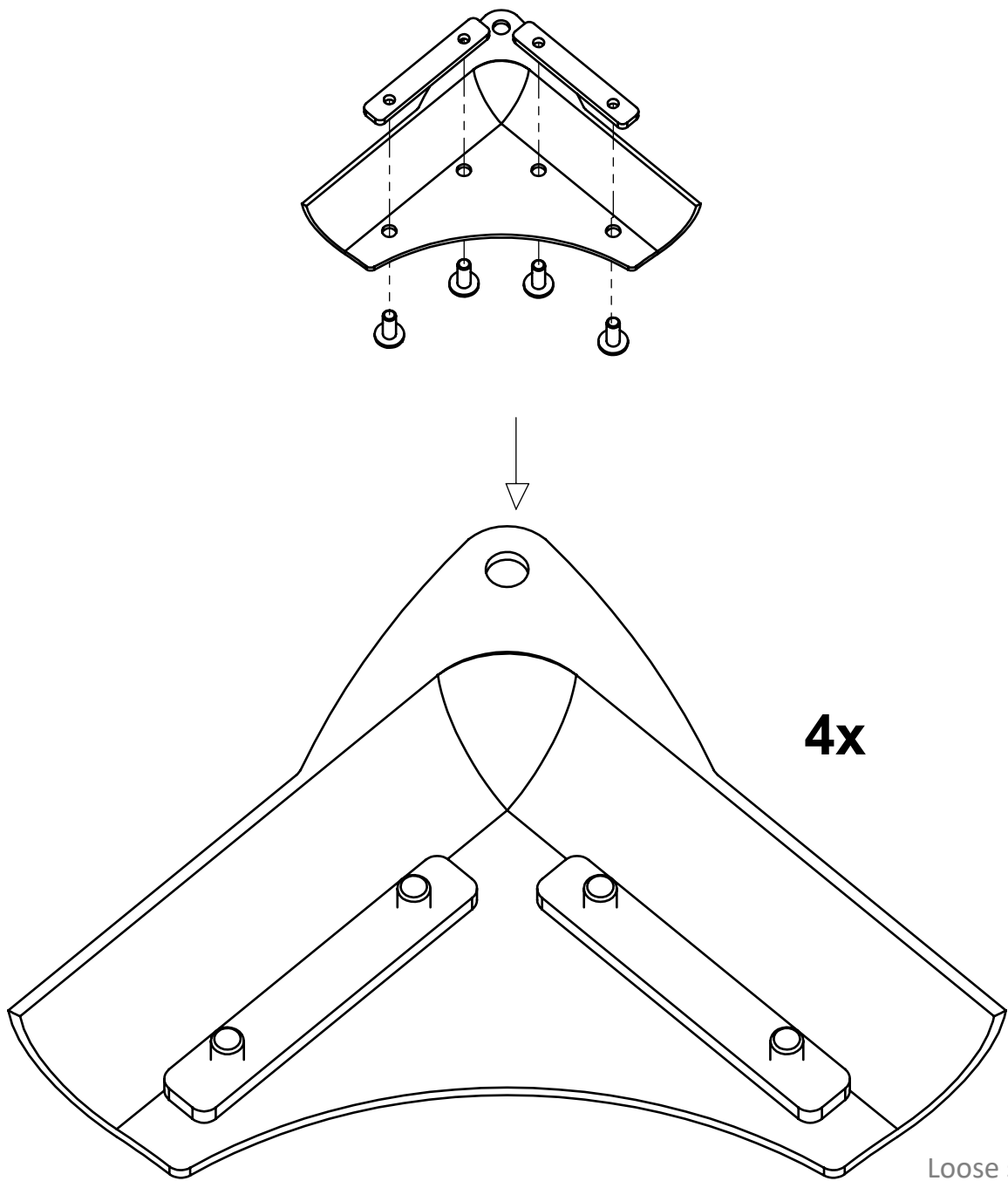
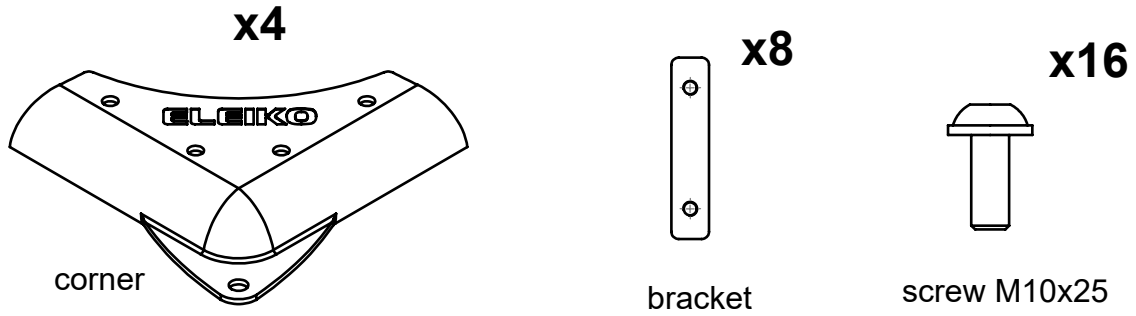
screw M10x25
2001124-L25



x8

bracket
2000520 p5

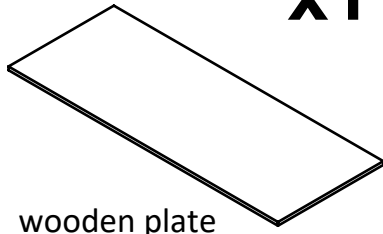
1. ASSEMBLY INSTRUCTIONS



ELEIKO

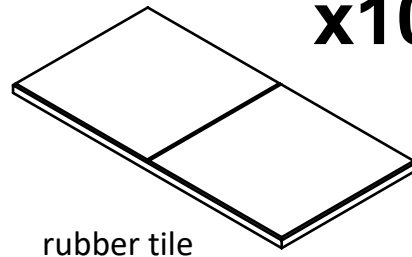
2.

x1

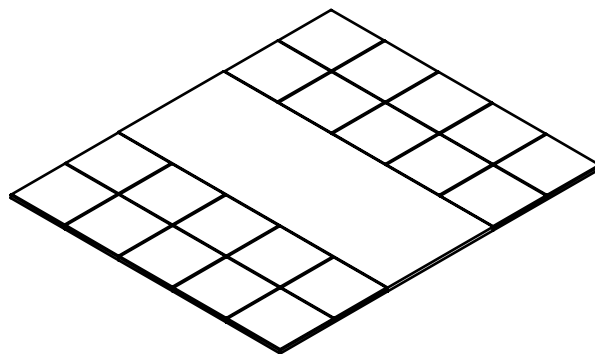
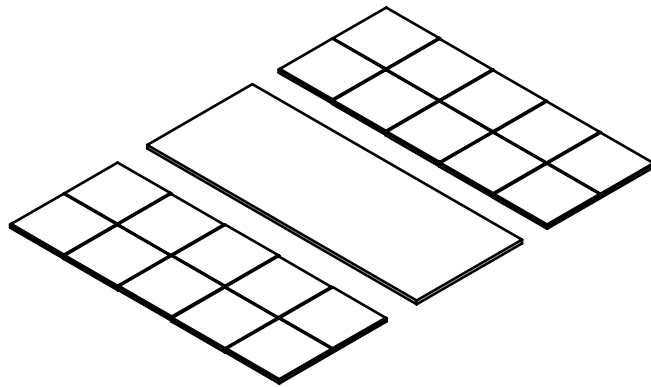


wooden plate

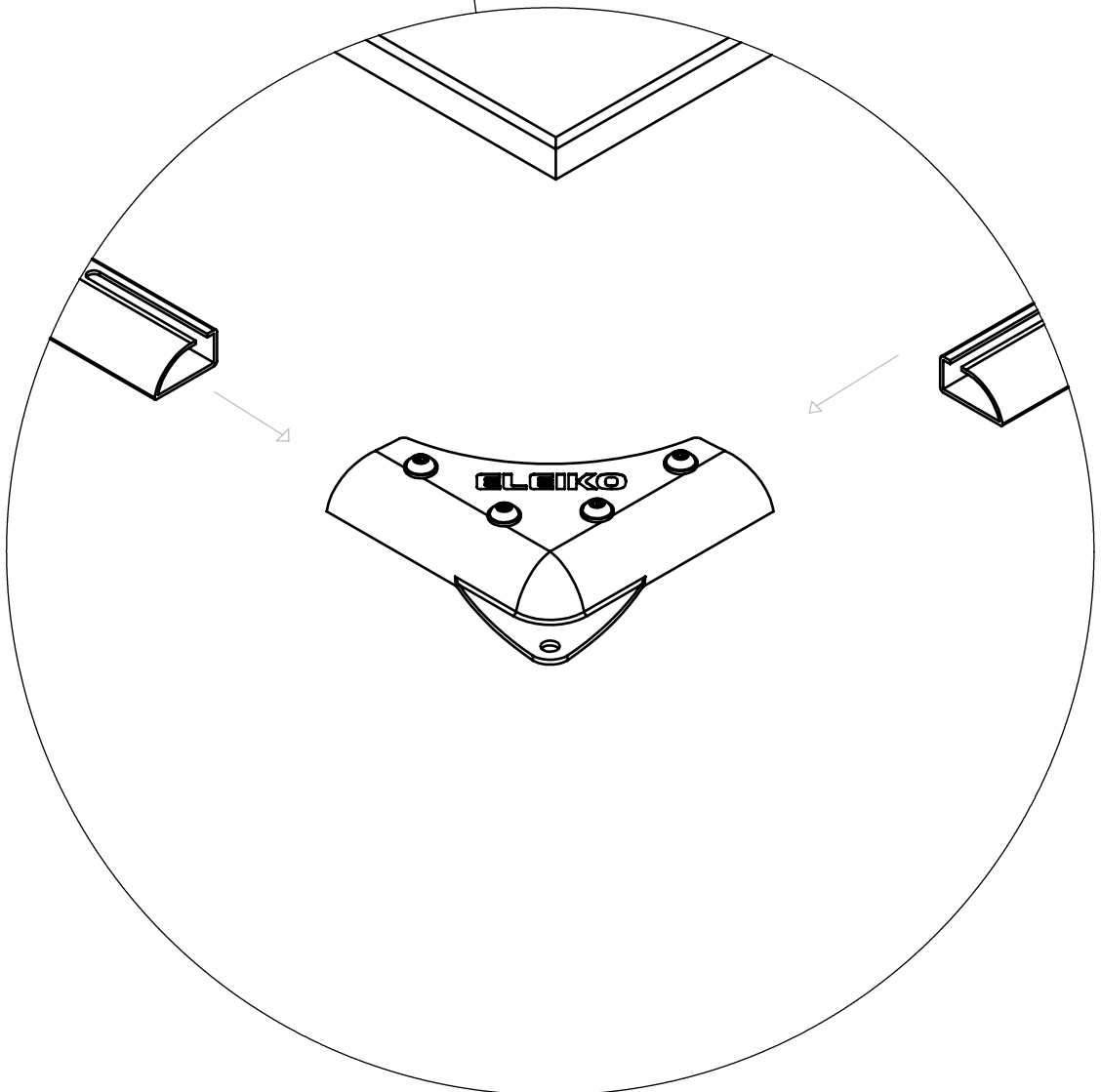
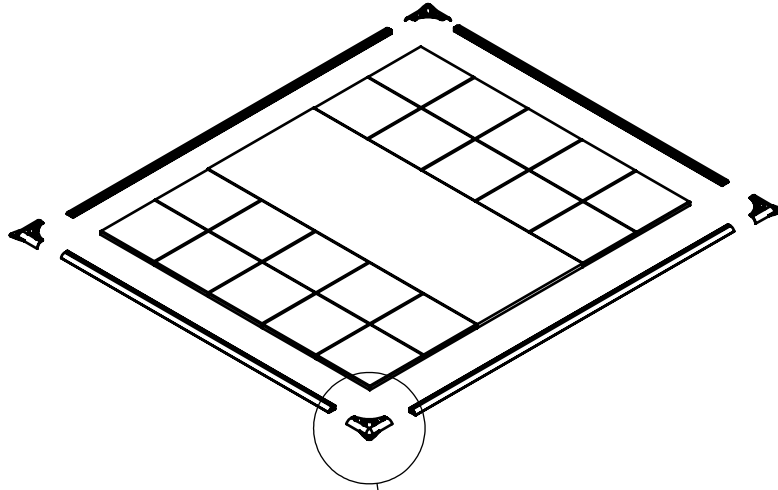
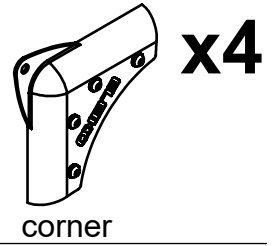
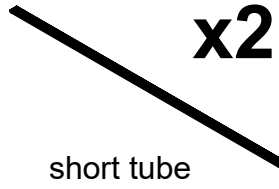
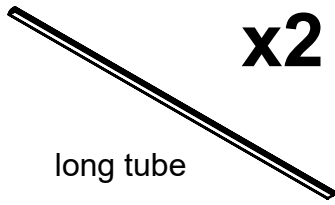
x10



rubber tile

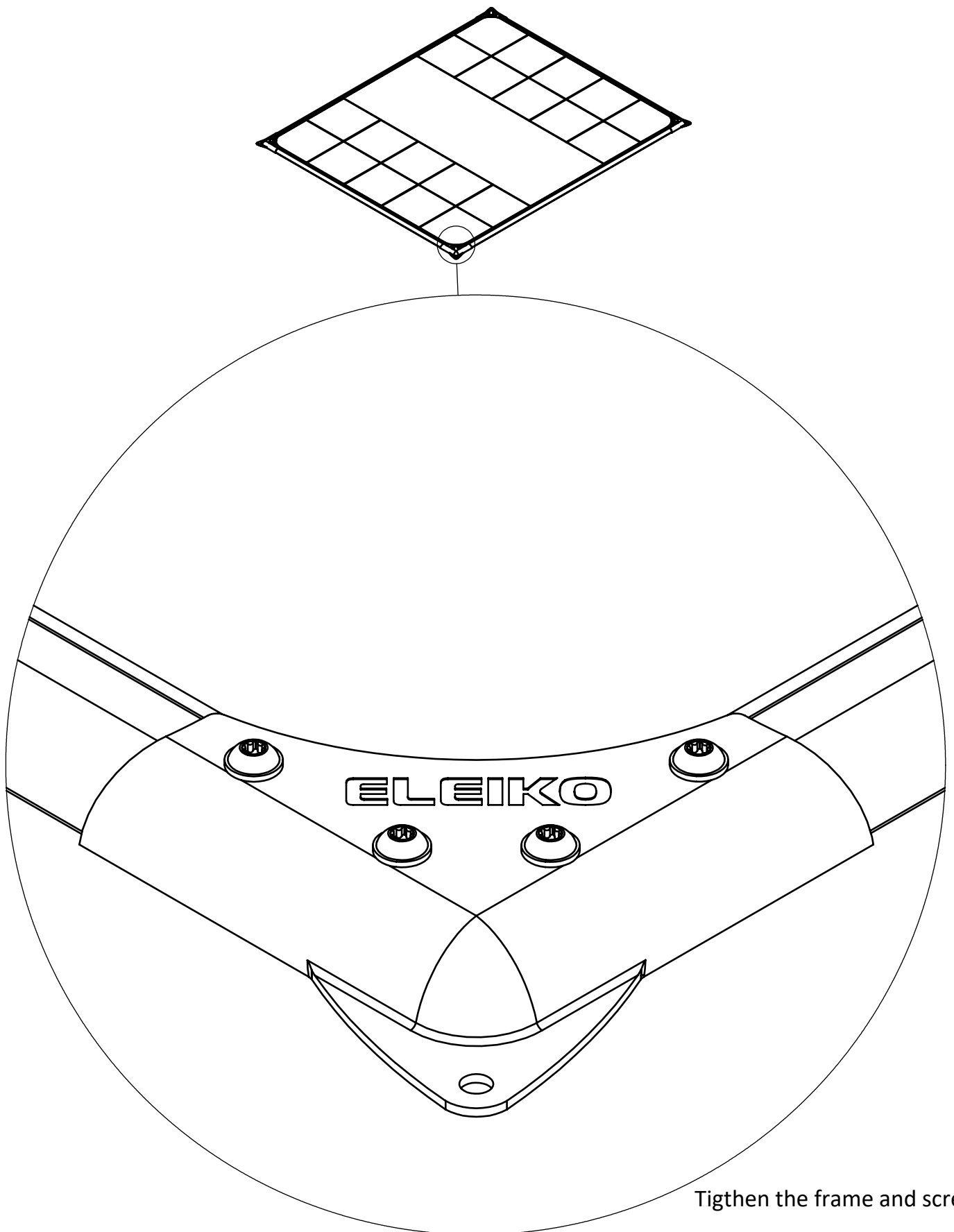


3.



ELEIKO

4.



Tighten the frame and screws

ELEIKO



Eleiko Group AB | Klastorpsvägen 18 | SE-302 62 HALMSTAD | Sweden
E-mail: info@eleiko.com | Phone: +46 35 17 70 70

www.eleiko.com